

# The APOLLO®-Series



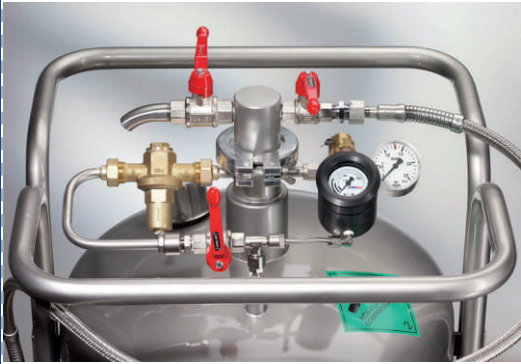
Reliability  
we can be  
proud of

Supply vessels for cryogenic liquid nitrogen with vacuum super insulation and long-time vacuum protection

Standard equipment:

- Integrated safety device at the vessel neck
- Combined positive pressure-relief and seal-off device
- Smooth running rolls and transport protection frame
- Separate transport plug DN 50
- Level indicator
- Decanting head with waste gas and overflow valve
- Integrated pressure build-up
- Decanting hose (1.5 metres) with phase separator

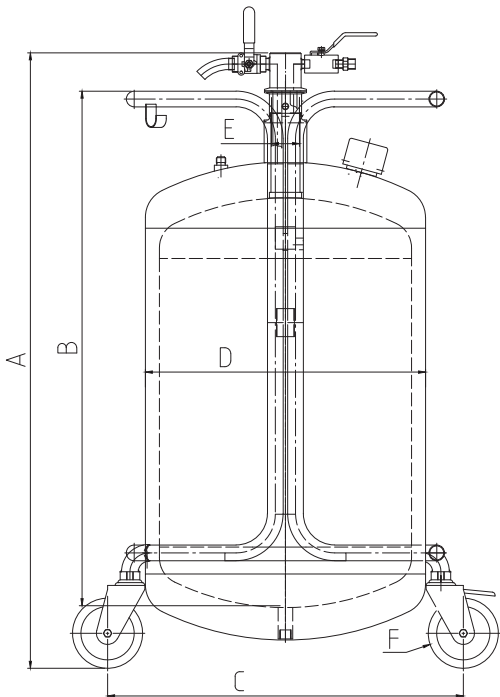
# Rapid cold at the point of use



## Options:

- Pressure build-up controller
- Pressure reduction controller (TRB801)
- Double withdrawal at the liquid side
- Double withdrawal at the gas side
- Triple withdrawal at the liquid side
- Triple withdrawal at the gas side
- Level indicator, capacitive, battery
- Level indicator, capacitive, 4 to 20 mA
- Fork lift pockets
- Set of guide rolls, antimagnetic
- Cryo protecting equipment, complete

Further extras are available on request



Technical Data						
Vessel Type		APOLLO® 50 1.3 bar	APOLLO® 100 1.3 bar	APOLLO® 150 1.3 bar	APOLLO® 200 2.0 bar	APOLLO® 350 2.0 bar
Vessel material		Stainless steel	Stainless steel	Stainless steel	Stainless steel	Stainless steel
Approval mark		CE	CE	CE	CE0035	CE0035
Geometrical capacity		[ l ]	49.5	99.2	149.5	198.5
Operating over-pressure max.		[ bar ]	1.3	1.3	2.0	2.0
Empty weight		[ kg ]	44	62	79	100
Full weight		[ kg ]	85	145	204	266
Static evaporation rate		[ %/d ]	2	1.2	1	0.6
Total height	A	[ cm ]	80	114	146	117
Outside diameter	D	[ cm ]	50	50	50	70
Total width	C	[ cm ]	65	65	65	80
Immersion depth	B	[ cm ]	58.5	92	122	91
Castor diameter	F	[ mm ]	125	125	125	160
Neck diameter	E	[ mm ]	50	50	50	50
Decanting head connections			KF 50	KF 50	KF 50	KF 50
Article number			78202700	78202701	78202702	78202748
					78202748	78202749

## Contact

Cryotherm GmbH & Co. KG  
 Euteneuen 4  
 D-57548 Kirchen  
 Fon: +49 (0) 2741 - 9585-0  
 Fax: +49 (0) 2741 - 6900  
 E-Mail: [info@cryotherm.de](mailto:info@cryotherm.de)  
[www.cryotherm.de](http://www.cryotherm.de)

